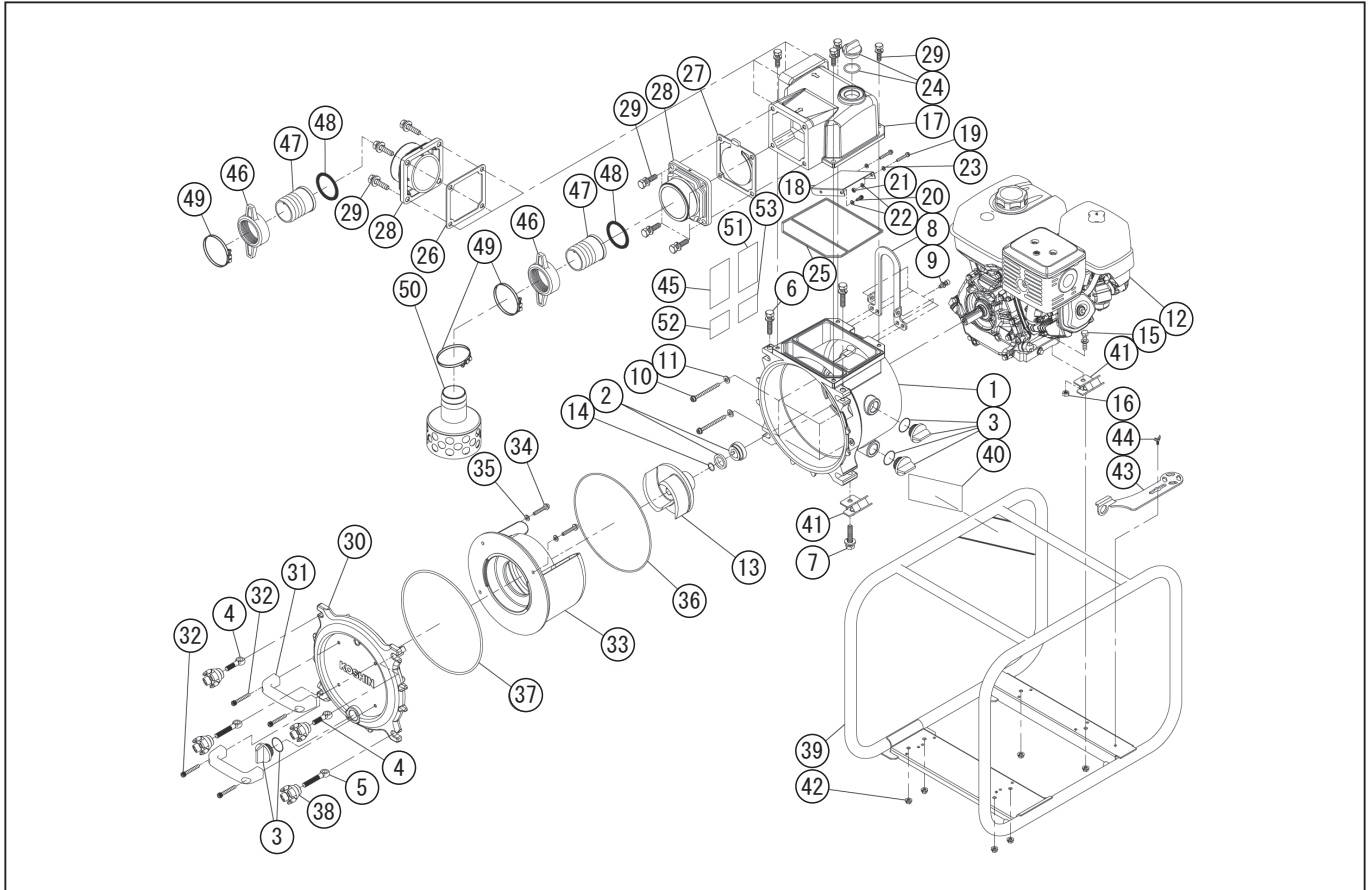


DWG No.066863906 MODEL : KTH-80S FORM : KTH-80S-BAB-0(GX270)

| No. | PARTS CODE | PARTS NAME | QTY | MATERIAL/SIZE | REMARKS |
|-----|------------|-------------------------|-----|----------------------|---------|
| 1 | 0121439 | PUMP CASE | 1 | ADC | |
| 2 | 0115678 | KTH-80X MECHANICAL SEAL | 1 | HJ-25(B)BSIC | |
| 3 | 0118079 | 25A PLUG SET | 3 | | |
| 4 | 0121843 | COVER BOLT S | 2 | S35C | |
| 5 | 0121844 | COVER BOLT L | 2 | S35C | |
| 6 | 743119083 | BOLT | 2 | SWRM M12×45 | |
| 7 | 743119084 | BOLT | 2 | M 1 2 × 5 0 SWRM | |
| 8 | 0121454 | HOOK PLATE | 1 | SPC | |
| 9 | 734614090 | BOLT | 6 | M10×25 SWRCH 8.8T | |
| 10 | 0121925 | BOLT | 4 | M10*P1.25*50 SCM | |
| 11 | 0121915 | WASHER | 4 | A1100 PH14 | |
| 12 | 0121911 | ENGINE | 1 | HONDA (GX270UT2-WKT) | |
| 13 | 0121438 | IMPELLER | 1 | HICR | |
| 14 | 0110081 | ADJUSTING WASHER | 3 | T0.3 | |
| 15 | 743119067 | BOLT | 2 | M10×40 SWRM | |
| 16 | 827419010 | NUT | 2 | M10 SWRM | |
| 17 | 0121437 | SEPARATE HEAD | 1 | | |
| 18 | 0121457 | BAFFLE | 1 | SUS304 | |
| 19 | 734705047 | BOLT | 2 | M6×16 SUS | |
| 20 | 734505276 | BOLT | 2 | M6×8 SUS | |
| 21 | 827405006 | NUT | 2 | M6 1種中 SUS | |
| 22 | 846205006 | WASHER | 4 | Φ 6 sus | |
| 23 | 854255006 | WASHER | 2 | φ 6 | |
| 24 | 0118450 | 32A PLUG SET | 1 | | |
| 25 | 0121450 | HEAD PACKING | 1 | NBR | |
| 26 | 0110584 | FLANGE PACKING | 1 | CR | |
| 27 | 0121574 | CHECK VALVE | 1 | NBR+SPHC | |
| 28 | 0115838 | DELIVERY FLANGE | 2 | ADC | |
| 29 | 743119063 | BOLT | 12 | M10×30 SWRM | |
| 30 | 0121440 | FRONT COVER | 1 | ADC | |

◆ Bare engine can not be supplied



DWG No.066863906 MODEL : KTH-80S FORM : KTH-80S-BAB-0(GX270)

| No. | PARTS CODE | PARTS NAME | QTY | MATERIAL/SIZE | REMARKS |
|-----|------------|------------------------|-----|---------------|---------|
| 31 | 0121453 | HANDLE | 2 | PA6%+GF30% | |
| 32 | 734520070 | BOLT | 4 | M8×35 | |
| 33 | 0121441 | VOLUTE CASE | 1 | FCD450 | |
| 34 | 734705066 | BOLT | 3 | SUS M8×25 | |
| 35 | 0116493 | WASHER | 3 | A1100 PH14 | |
| 36 | 0121917 | O-RING | 1 | NBR G283×3.55 | |
| 37 | 0121916 | O-RING | 1 | NBR G295×5.3 | |
| 38 | 0121449 | KNOB | 4 | FC200 | |
| 39 | 0128438 | BASE ASSY | 1 | | |
| 40 | 0121435 | KTH-S SIDE PANEL LABEL | 1 | | |
| 41 | 0116172 | CUSHION RUBBER | 4 | CR 60° | |
| 42 | 842319008 | SPRING NUT | 4 | SWRM | |
| 43 | 0121918 | TOOL | 1 | | |
| 44 | 741305153 | WING BOLT | 1 | M8×15 SUS | |
| 45 | 0121445 | NAME PLATE | 1 | | |
| 46 | 0110300 | SE-80 COUPLING | 2 | ADC | |
| 47 | 0111931 | SE-80L HOSE NIPPLE | 2 | ADC | |
| 48 | 0110100 | 80 COUPLING PACKING | 2 | NBR | |
| 49 | 940407090 | HOSE BAND | 3 | 3" | |
| 50 | 0110978 | STRAINER | 1 | SPC | |
| 51 | 0114713 | CAUTION LABEL | 1 | | |
| 52 | 0114718 | CE MARK LABEL | 1 | | |
| 53 | 0116283 | EU NOISE LABEL(105) | 1 | PET+PET | |

◆ Bare engine can not be supplied